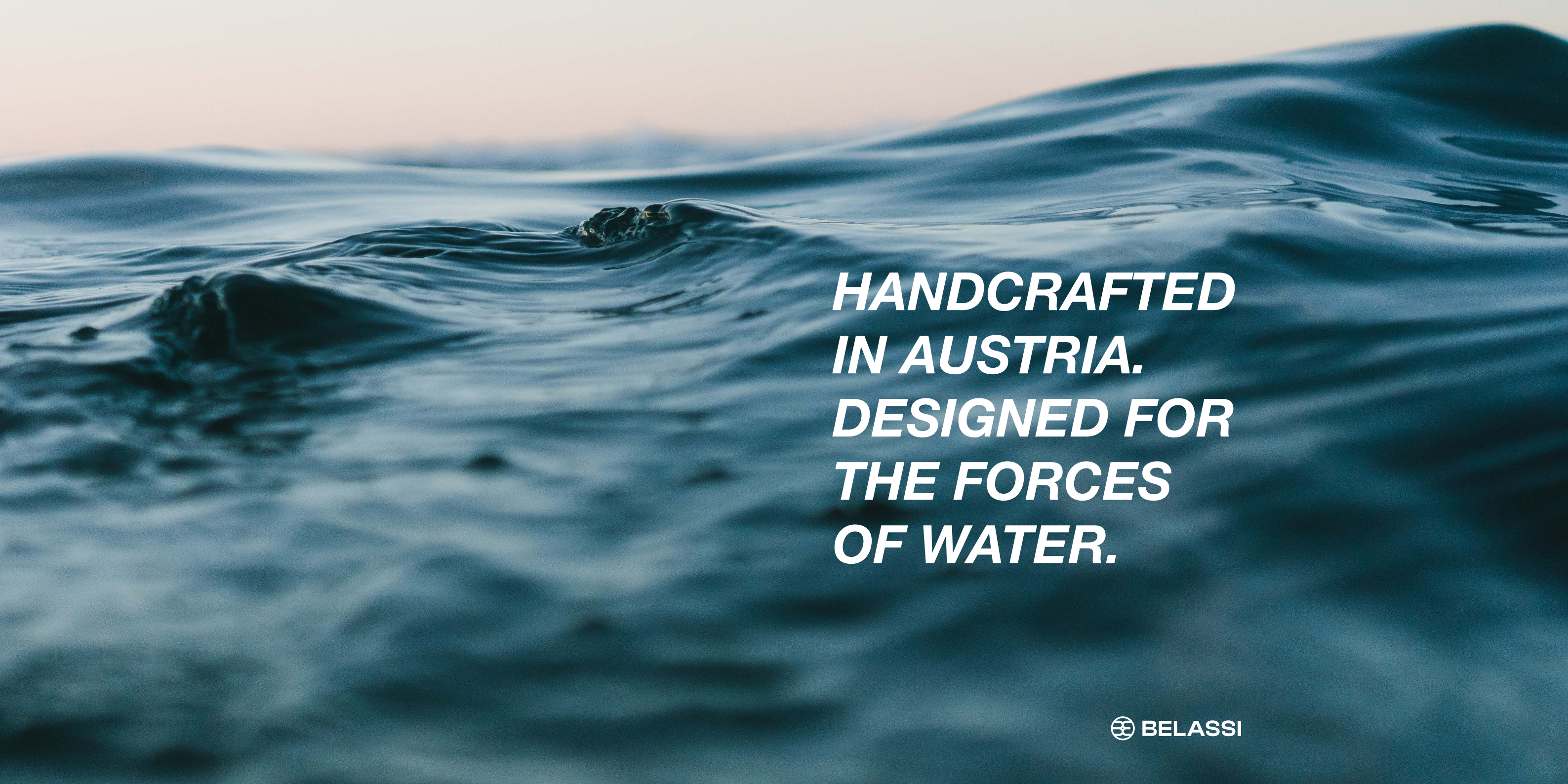


*MARINE
POWERTRAINS*

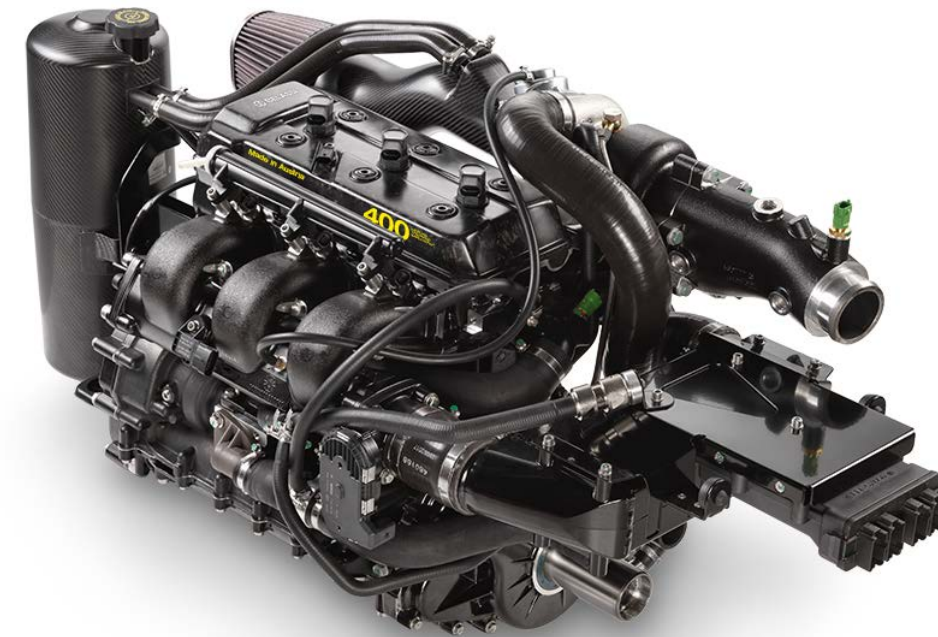


***HANDCRAFTED
IN AUSTRIA.
DESIGNED FOR
THE FORCES
OF WATER.***

THE BELASSI MARINE POWERTRAINS

At the core of our product lies our engine crafted by Belassi in Austria, with a commitment to superior power, torque, and fuel efficiency, it ensures an unparalleled experience without compromise. In our low-volume production, we prioritize our customers through a specialized and a customer-centric approach. Also what sets us apart further is the exclusive status of being the only Personal Watercraft (PWC) manufacturer in the world that produces a series turbo engine, providing a unique edge to enhance your product portfolio.

Our Marine Powertrains are specifically designed to fit in small Jetboats or Personal Watercraft up to about 4 meters (13 feet) and waterjet Powered Boats up to about 6 meters (20 feet).



Belassi 260 Turbo

260 horsepower

Belassi 330 Turbo

330 horsepower

Belassi 400 Turbo

400 horsepower

Are you looking for an Engine with different specifications?

Our team can modify and develop new engine solutions tailored to your needs and market. Reach out to us with your requirements, and we hope to assist you.

COMPACT SIZE PLUG & PLAY EASILY ADAPTABLE



With its small dimensions and weight of only **117 kg** - the engine can be mounted on **small boats** without affecting the performance



To simplify the whole process, the MPU can be connected to a battery, a fuel source and a water hose and then **started up**



All **technical information** for coupling shafts, motor mounts and electronic communication protocols will be made **available**



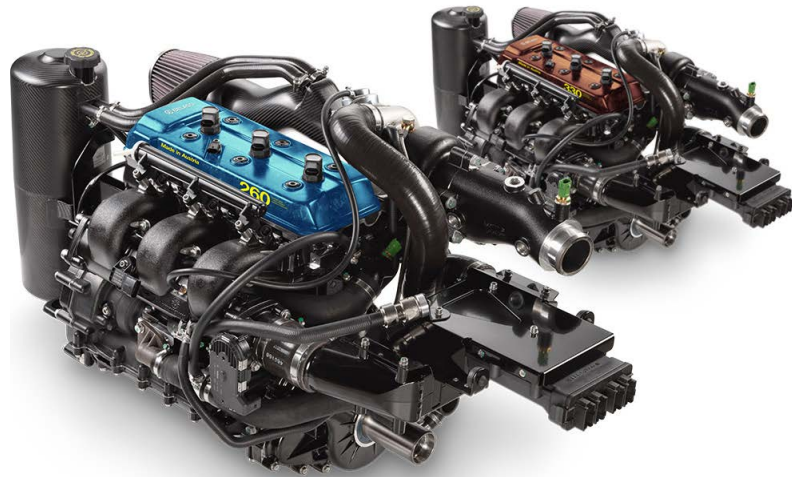
We prioritize our customers through a **customer-centric approach**, offering flexibility with a minimum order quantity of just **1 piece**

WHAT IT'S INCLUDED

In every Marine Power Unit Package it's already included the following components:

- Engine + Water to air intercooler
- Wire harness with complete E-architecture
- ECU
- Starter relay
- Start stop / mode keypad
- 5" or 7" Touch Display *(at additional cost)*

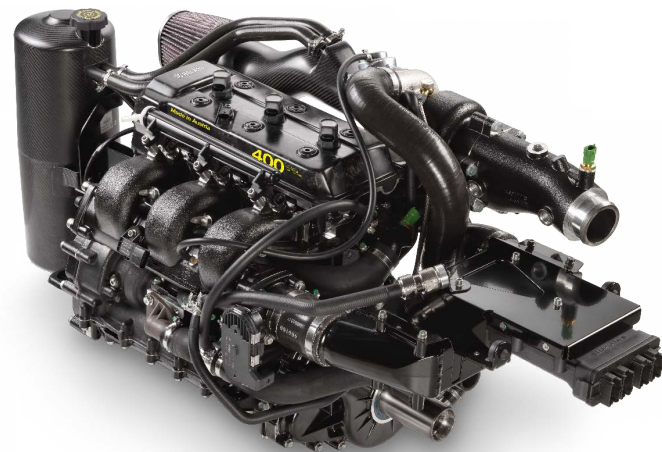




BELASSI 260 / 330 TURBO

These two units are specifically designed to fit in compact waterjet Powered Boats up to about 6 meters (20 feet). With a commitment to superior power, torque, and fuel efficiency, they ensure an unparalleled experience without compromise.

- Boats up to 6 m / 20 ft
- power of 260 hp or 330 hp
- weight of 118 kg
- up to 7800 rpm



BELASSI 400 TURBO

The Belassi 400 Turbo is specifically designed to fit in small Jetboats or Personal Watercraft up to 4 meters (13 feet). This engine has an incredible high power output enabling a new chapter in speed and acceleration.

- Crafts up to 4 m / 13 ft
- power of 400 hp / 294 kW / 343 Nm
- weight of 118 kg
- max. 8300 rpm



TURBO MHI TD04

Produced by Mitsubishi Heavy Industries Engine & Turbocharger (MHIET) based in Japan and supplied by Tachyon Motorsport.

Installed on

Belassi 260 Turbo



TURBO G25-550

This product caters to racing fans by delivering high power in a compact form, using advanced designs and materials for enhanced performance.

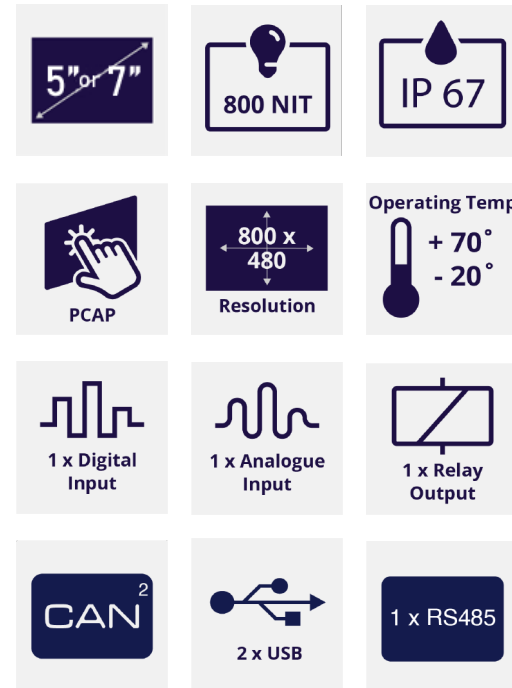
Installed on

Belassi 330 Turbo

Belassi 400 Turbo

TOUCHSCREEN DISPLAY

With its slim-line profile housing a high resolution projected capacitive touch (PCAP) customizable color screen delivering modern tablet like aesthetics.



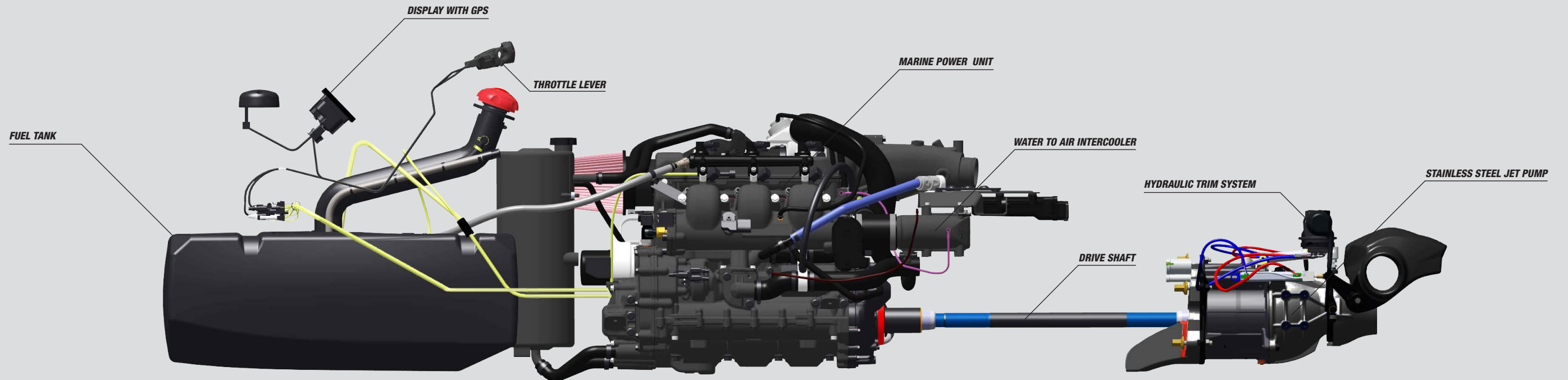
AVAILABLE ADD-ON

Additionally, there will be a variety of options available to add on, including:

- Jet pump with drive shaft
- Additional alternator for second battery
- Handlebar mounted throttle lever
- Hydraulic brake / reverse and trim system
- 7" touch screen color display
- Mode Keypad
- Fuel system

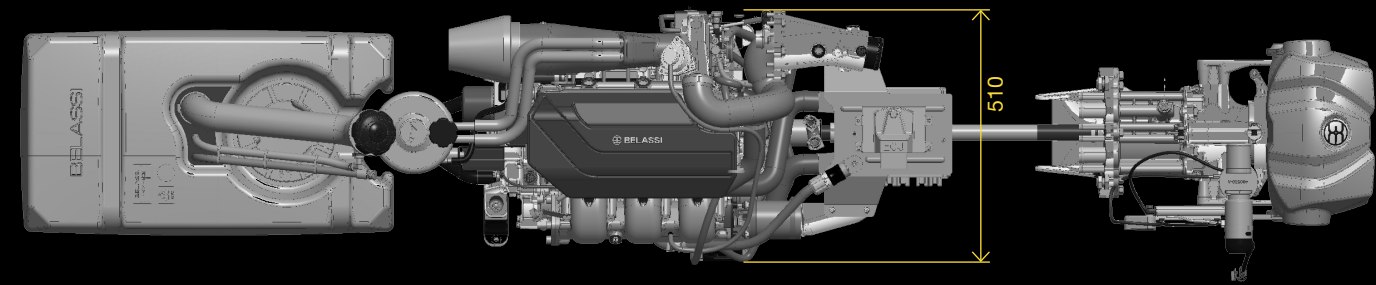
THE POWERTRAIN

You have the chance to buy extra upgrades for your MPU Engine. This way, you not only get parts that are pre-tested and ready for use but also accelerate your development process. Obtaining the entire powertrain from a single supplier is simply much less hassle.

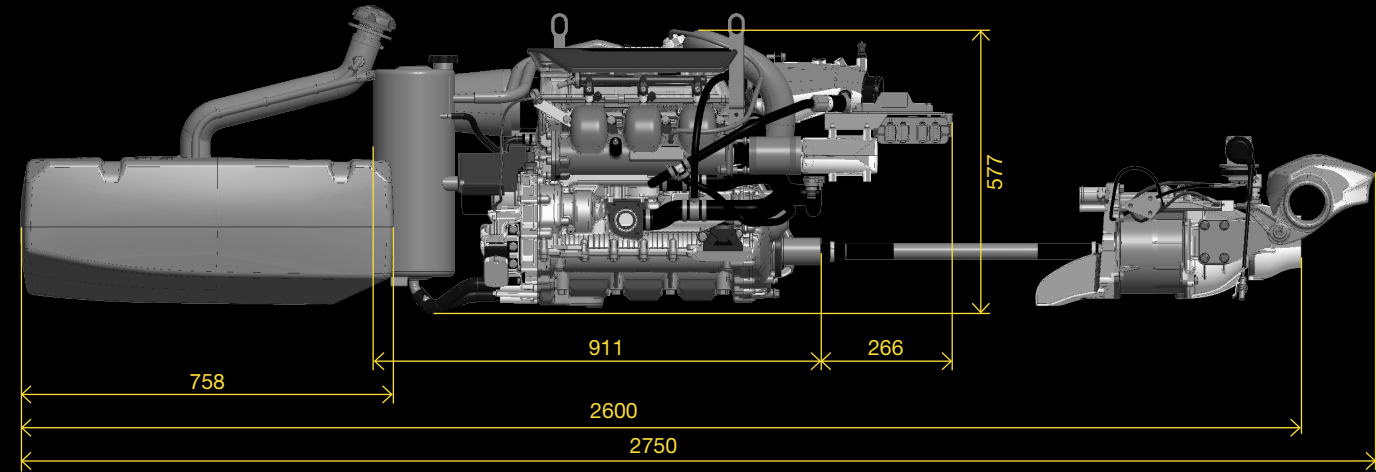


BELASSI 260 TURBO

Top view

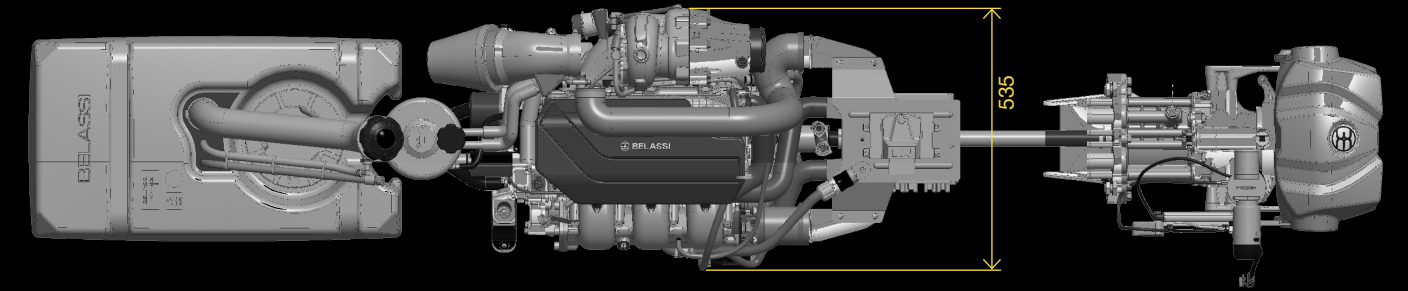


Side view

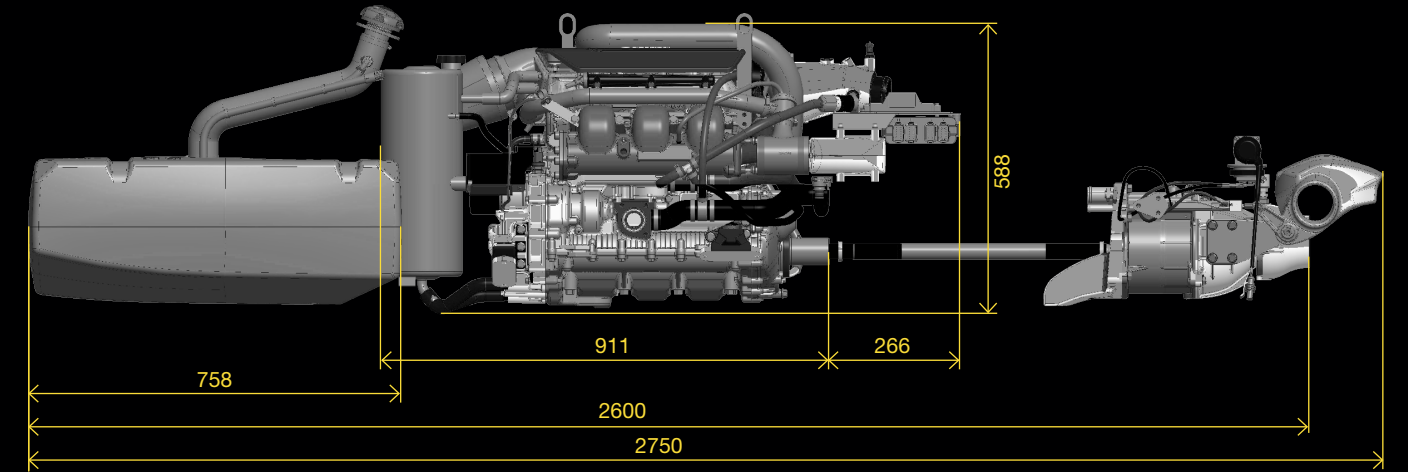


BELASSI 330 / 400 TURBO

Top view



Side view





MINI JETS



JET BOATS



JET CARS



MILITARY

OUR WORLDWIDE DEALERSNETWORK

Belassi is proud to install a worldwide network of partners. These are specially appointed and are able to provide you with a personalized service for your needs.



ENGINE SPECIFICATIONS

PRICING LIST

Engine type	Marine 3 cylinder -4 stroke
Displacement	1602 cc
Length x Width x Height	100 x 54 x 59 cm / 39.3 x 21.2 x 23.2 inch
Bore x stroke	100 x 68 mm / 3.9 x 2.7 inch
Intake system	Turbocharged with water-cooled intercooler
Turbocharger	Pressure control via electromagnetic wastegate valve
Exhaust system	Water cooled with water injection
Valve train	DOHC - 12 V
Compression ratio	9.1:1
Lubrication system	Full dry sump 6-stage gear pump
Cooling system	Open loop cooling
Valve cover	Made of aluminium
General information	Cylinder liners: NSC coated, forged crankshaft, conrod and piston for high engine performance with low pressure casting

	Belassi 260 Turbo	Belassi 330 - 400 Turbo
Base Marine Power Unit	€ 14.945	€ 16.945
Upgrades		
Complete Stainless Steel Jetpump	€ 1.736	€ 1.736
Reverse / Trim	€ 1.666	€ 1.666
Driveshaft	€ 249	€ 249
Jetpump Hull Adapter Plate	€ 336	€ 336
Catalytic Converter Kit	€ 1.500	/
5" Display	€ 728	€ 728
7" Display	€ 900	€ 900
GPS	€ 252	€ 252
Control Lever Kit (handlebar mounted)	€ 856	€ 856
Fuel tank assembly (EPA certified)	€ 700	€ 700

PACKAGES OVERVIEW

	Belassi 260 Turbo	Belassi 330 Turbo	Belassi 400 Turbo
Peak Power hp	260	330	400
Weight	117 kg / 258 lbs	118 kg / 260 lbs	118 kg / 260 lbs
Max RPM	7400	7800	8300
Fuel Requirement RON	95	95	98/100
Application	Jetboats until 6 m / 20 feet	Jetboats until 6 m / 20 feet	PWC / Jetboats until 4 m / 13 feet

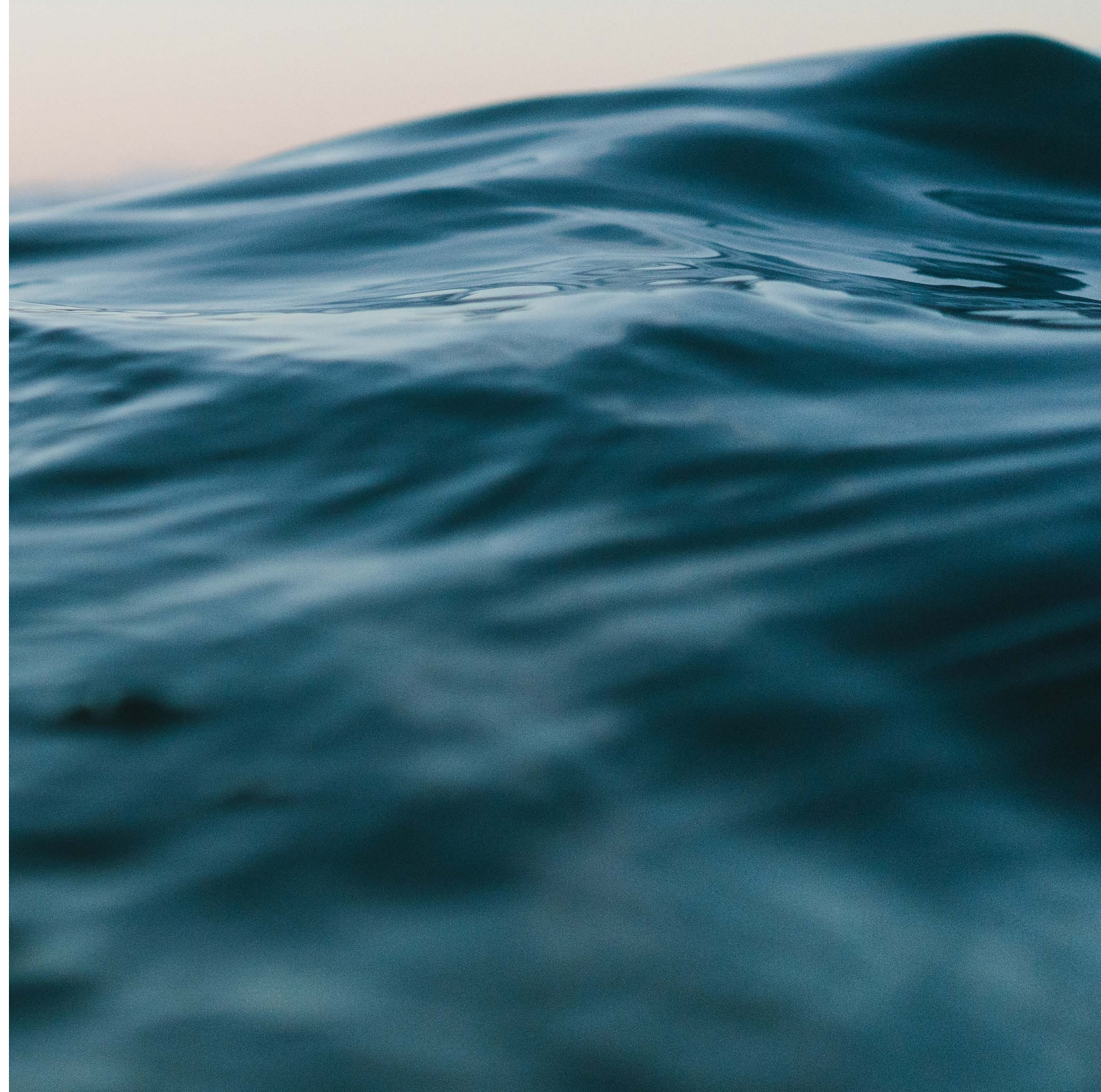
GET IN TOUCH

We will help you with any questions or requests and wishes, contact us.

Dealer:
Clouds International B.V.
verkoop@clouds.nl
0348551644
www.clouds.nl

The information and illustrations in this brochure reflect the state-of-the-art technology when it went to press. The products shown are preproduction models; production models may vary slightly. Depending on the version, the illustrated features are either standard or optional. In our efforts to constantly improve the quality of our products, Belassi reserves the right to change technical details, optional and standard features, and colors at any time.

© Belassi





www.clouds.nl

