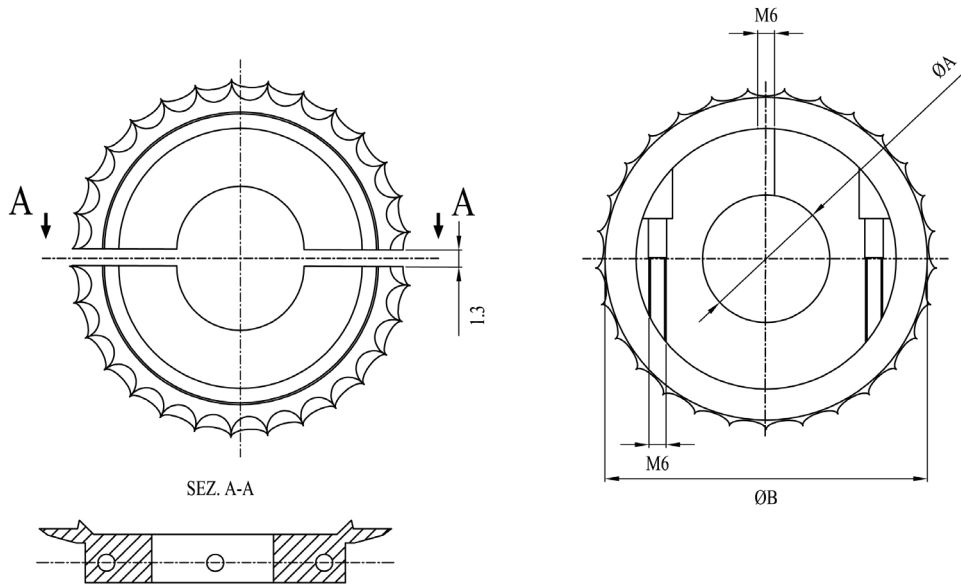




**Taglia cime a morsetto**

Clamp rope cutter

Materiale Aisi 630 - Material Aisi 630



Cod.	A	Ø Est. Mm (B)
5225800T	25	80
5230800T	30	80
5235100T	35	100
5240100T	40	100
5245120T	45	120
5250120T	50	120