

alamarin-jet

AJ 340 Technical Specification

Power

max. 550kW/750hp

RPM

max. 3300 1/min

Vessel Displacement

max. 6.5ton / 14,350lbs (per single jet, planing)

Unit Weight

245kg / 540lbs

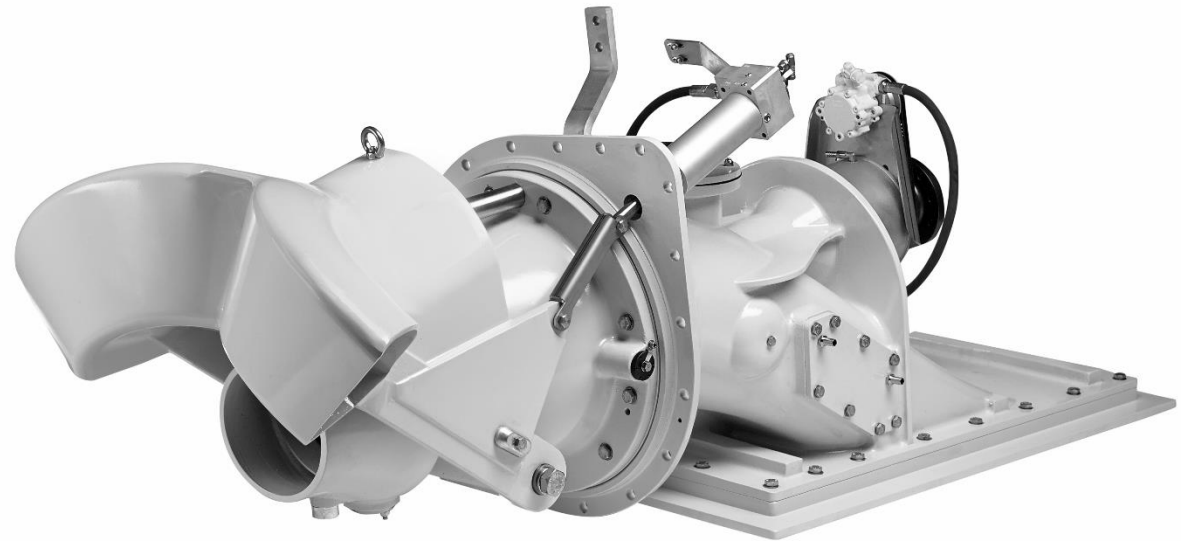
Max Diameter of Impeller

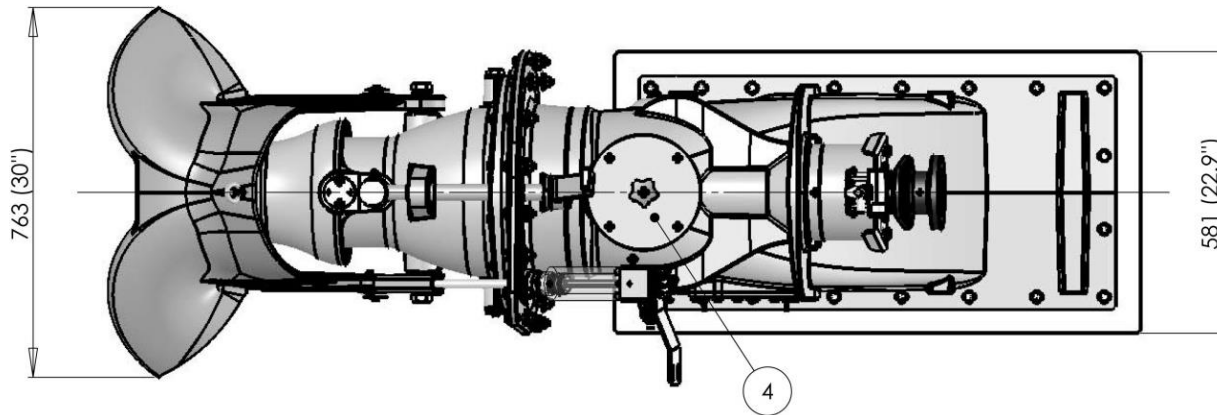
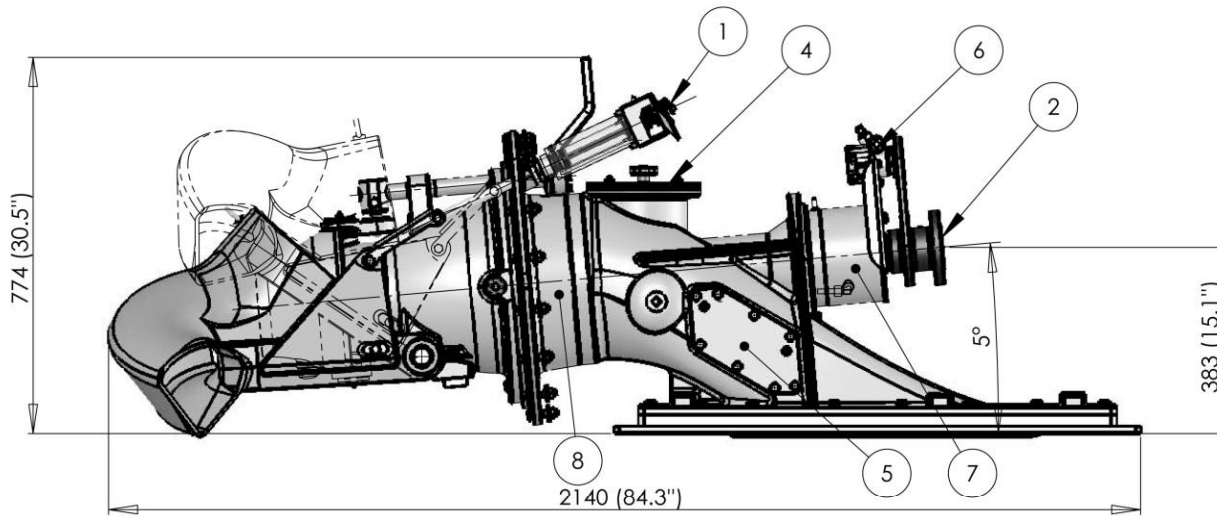
338mm / 13¼"

Materials:

Aluminium

High Grade Stainless Steel





1. Reverse deflector hydraulic cylinder connection. Standard 33C cable fitting.

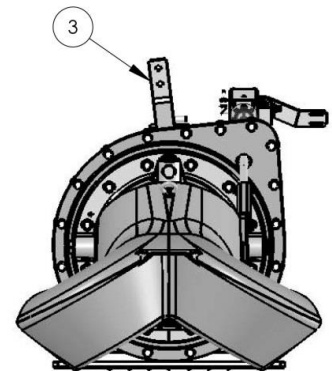
2. Input flange DIN-150. Adapter plates available for different intermediate shaft configurations.

3. Steering lever to be connected to steering system. Assembled on the shaft with taper lock flexible position.

4. Inspection hatch. Extension collar available.

5. Integrated oil cooler for reverse deflector hydraulic system.

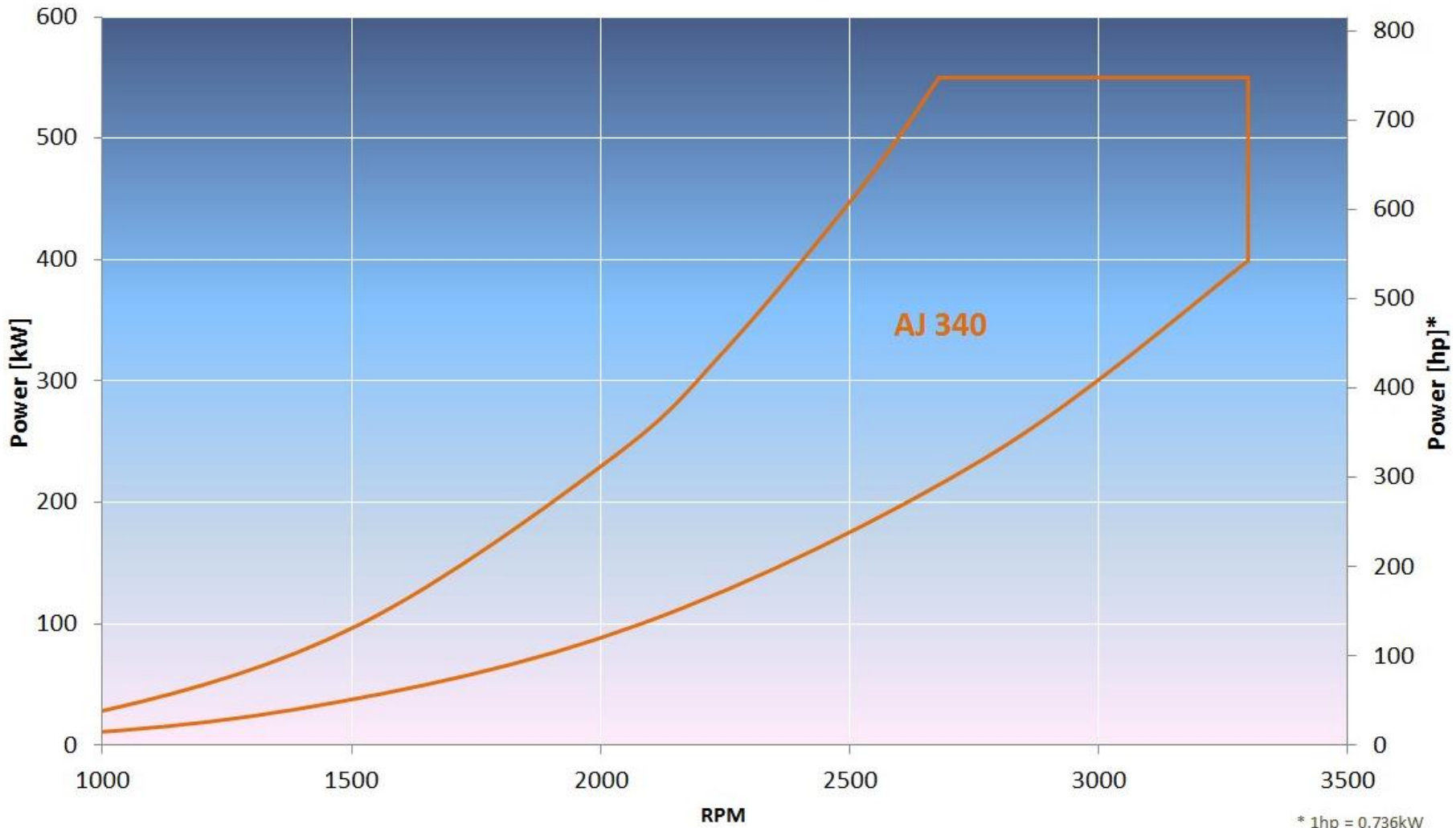
6. Integrated oil pump for reverse deflector control.



7. Oil lubricated front bearing carrying all axial and radial loads. Cutless bearing in the rear end.

8. Conical impeller duct with stainless steel liner.

Power / RPM Coverage Area

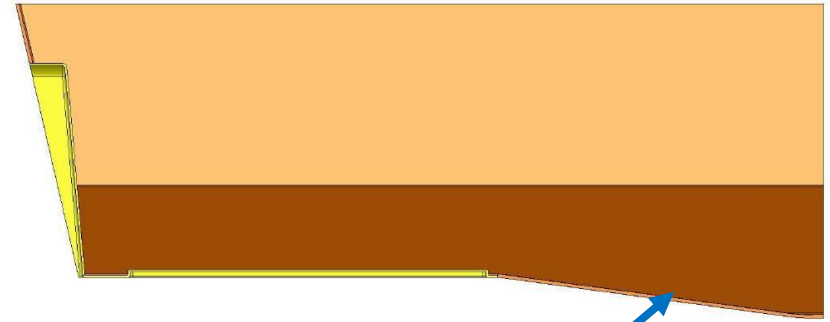
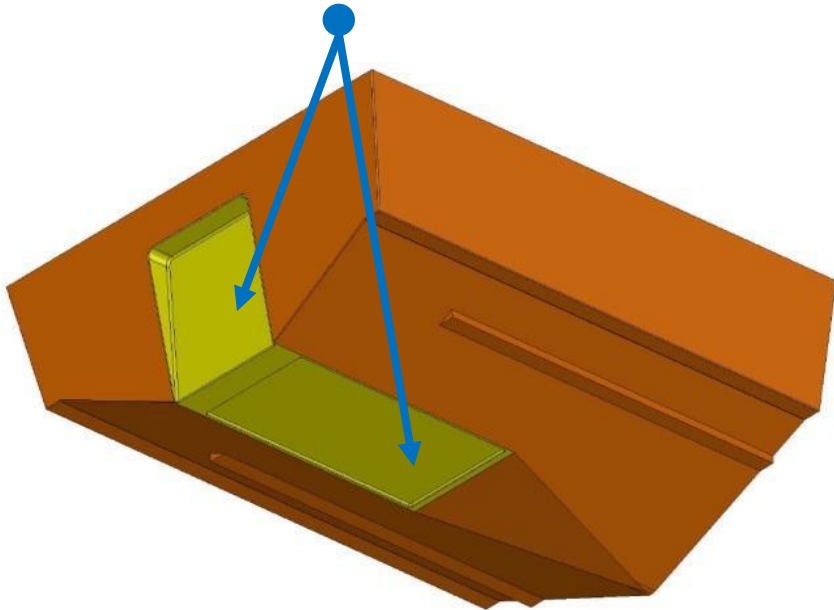


* 1hp = 0,736kW

General Installation

Step 1.

Vessel builder creates 2 flat surfaces in the hull as shown below as mounting plates...*



Step 2.

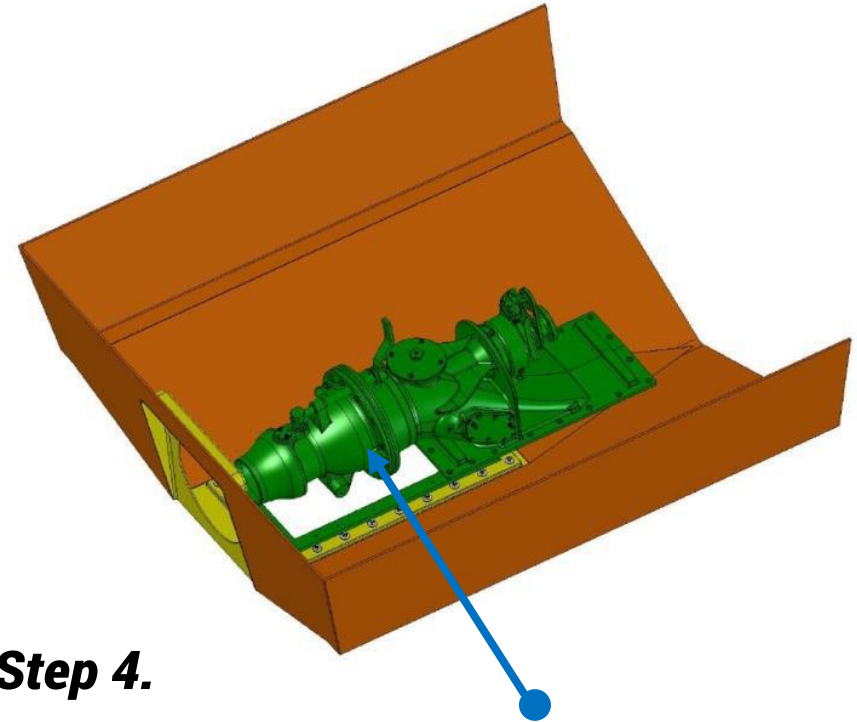
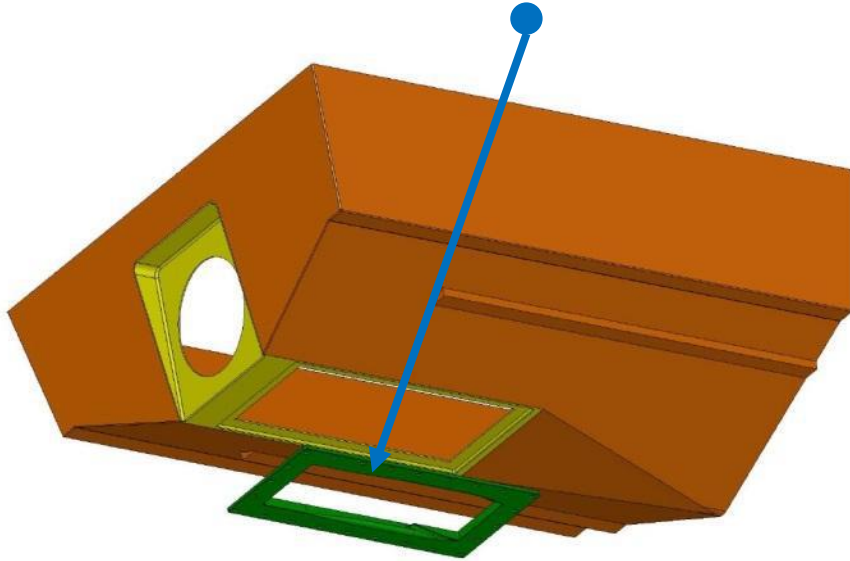
A flat triangular plate is then installed to join these “mounting plates” to the keel....*

****Detailed information for mounting plates and triangular plate available in Designers Manual***

General Installation

Step 3.

Two openings are now cut into the mounting plates and the Hull Adaptor Plate can be fitted...*

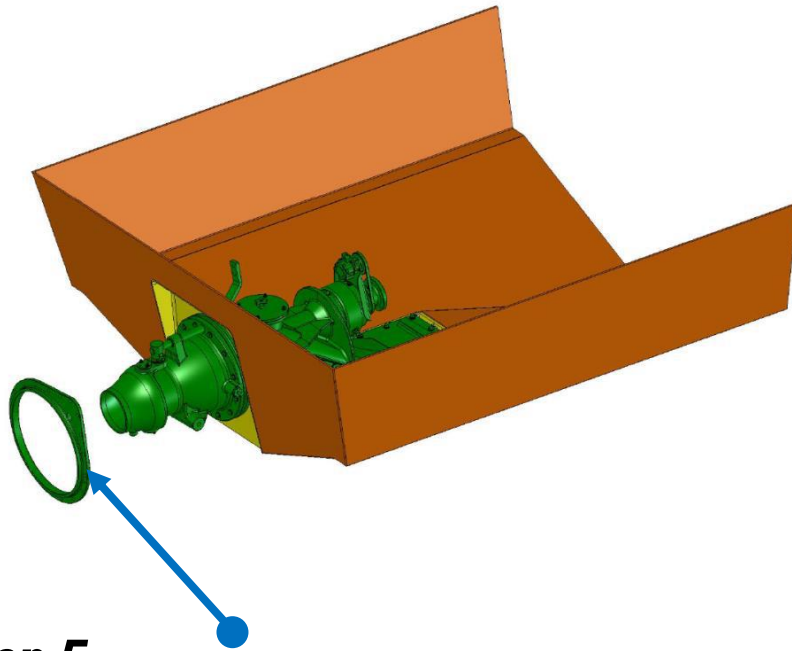


Step 4.

The AJ 340 propulsion unit is now installed via the engine room and is secured to the Hull Adaptor Plate...

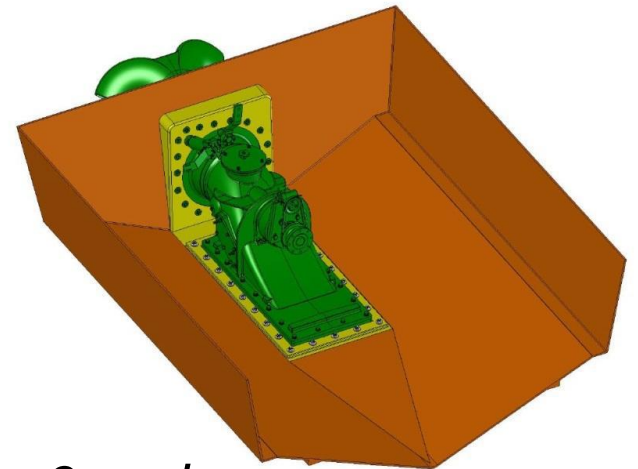
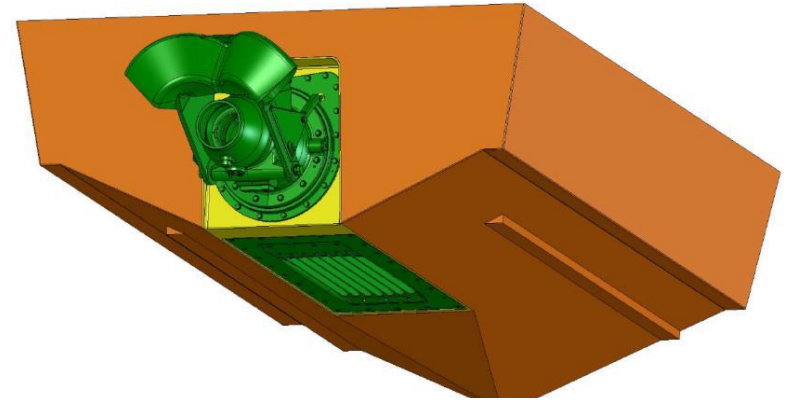
***Hull Adaptor Plate Supplied by Alamarin-Jet**

General Installation



Step 5.

Finally the Transom Installation Ring* is installed to make the installation watertight...



Step 6.

Installation Complete

***Transom Installation Ring Supplied by Alamarin-Jet**

**For further information please contact your local
Alamarin-Jet representative**