

# SONIC LIGHTWEIGHT STERN DRIVES 70

## HAND OR HYDRAULIC TILT

**DIRECT DRIVE**

### FOR USE WITH:

- Petrol Engines 20 to 60HP
- Diesel Engines 9 to 50HP
- Electric Motors 4 to 25KW

### REDUCTION RATIOS:

**1 : 1** STANDARD

**1.25 : 1** OPTIONAL



- **POWER STEERING** for maximum manoeuvrability.
- **PARALLEL THRUST** for optimum speed and efficiency.
- **KICK UP** to clear under water obstructions, for safety and protection.
- **FULL TILT** for easy trailering and service.
- **SIMPLE 6 BOLT TRANSOM** installation, Template supplied.
- **ENGINE/GEARBOX** input rotation LH or RH.
- **TRIM ADJUSTMENT**, 2 position.
- **STREAMLINE** underwater section.
- **MARINE GRADE** alloy casing.
- **NICKEL ALLOY GEARS.**
- **STAINLESS STEEL FASTENERS.**
- **DOUBLE OIL SEALS** (Prop shaft).
- **SACRIFICIAL ANODE** provision.

SONIC TRANSMISSION UNITS ARE DESIGNED WITH SERVICE IN MIND. THE RUGGED BUT REFINED CONSTRUCTION ENABLES COMPLETE OVERHAULS TO BE CARRIED OUT WITH MINIMUM TOOLS. A FACILITY NOT ALWAYS POSSIBLE WITH OTHER TYPES OF MASS PRODUCED DRIVES.

Due to continual development Sillette - Sonic Limited reserve the right to alter, modify or replace any specification or design feature without prior notice.

## HYDRAULIC PUMPS & PISTON SETS for SONIC/Enfield Stern Drives and Cat-Drives



Standard hydraulic piston, pump and hose are suitable for fitting to all the Sonic Stern Drive Range, in addition they are available for many other applications.

**Hand Hydraulic Pump**, raises unit with 12 pumps of the lever  
or  
**12V Electro Hydraulic Pump** with switch control. Both use common lift cylinder, 1" Diameter - 3" Stroke.

### TECHNICAL DETAILS

Engine and Gearbox combinations must be within HP - RPM and torque specifications for Sonic 70 and approved by Sillette Sonic Limited in writing prior to purchase.

**Ratios** 1:1 Standard. 1.25:1 Special Order. Direct Drive.

Linked or manual safety latch allows Kick-Up in Forward, but locks down in reverse • Capable of LH or RH output rotation • All Steel Tiller Arm • Double sealed Prop Shaft • Maximum Prop Diameter 15" • Accepts Transom Angles 7° and 12° • Anodes fitted • Approximate dry weight 84lbs (38kg) • Easy Fitting • Full Instructions.

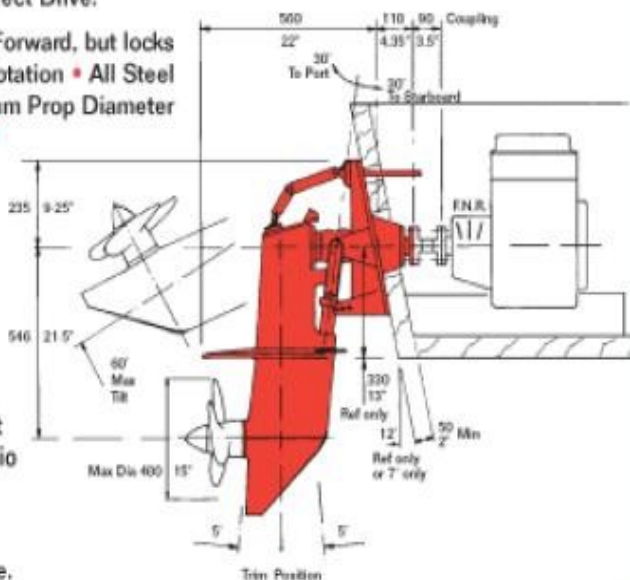
#### Max. Power

60hp C.V. PS. PK. @ 5000 rpm/upm. SAE. PETROL, Subject to torque limitation - 45kw  
50hp C.V. PS. PK. @ 3600 rpm/upm. SAE. DIESEL, Subject to torque limitation - 37kw

**Max. Input Torque** : 20kg/Mtr – 145lbs/ft  
i.e. Max input torque = Engine torque x overall ratio (reduced by 10% for commercial use)

#### Reduction Ratios

1 -1 : Standard • 1.25 : 1 Special • Direct Drive.



## ENGINE ADAPTORS AND FLEXIBLE COUPLINGS



## ENGINE RANGE

<b>Yanmar</b>	1GM10, 2GM20, 3GM30, 3JH3	: 9 to 40hp
<b>Lombardini</b>	LDW502, LDW702, LDW1003, LDW1404, LDW1503	: 13 to 39hp
<b>Beta</b>	TEN, BZ482, BD722, BD1005, BV1305, BV1505	: 13 to 37hp
<b>Nanni</b>	245ECO, 250HE, 3.75HE, 3.100HE, 4.150HE, 4.195HE	: 10 to 40hp
<b>Volvo</b>	2010, 2020, 2030, 2040, 2001, 2002, 2003	: 10 to 38hp
<b>Perkins</b>	M20, M30 – Leyland 1.5	: 20 to 30hp
<b>Electric Motors</b>	Lynch, etc... 24v, 36v, 48v	: 3 to 20kw

Adaption available for listed engine and gearbox combinations  
Marine Engines available from Sillette • For other possibilities check with Sillette.

An Extensive Range of Propellers • Couplings Adaptors • Spare Parts  
• Morse Teleflex Controls • Marineizing & Fitting Out Equipment  
available • Worldwide Mail Order Service.

**Also Available:**  
Sonic Sail Drives – 2 Models • Sonic Catamaran Drives – 4 Models  
Reduction Gearboxes • Onboard Service Kits/Tools