

Go with the flow.
ALAMARIN
JET 230

Manufacturing water jet propulsion since 1976.

Pump type.....axial flow, single stage
Dry weight.....79 kg (174 lb)
Boat weight, single jet.....1000 - 3000 kg (2200 - 6600 lb)
Power range.....max. 190 kW (260 mhp)
Impeller shaft RPM.....max. 4300 1/min
Impeller diameter.....max. 228 mm (9")
Reversal control.....hydraulic
Material.....aluminium, stainless steel

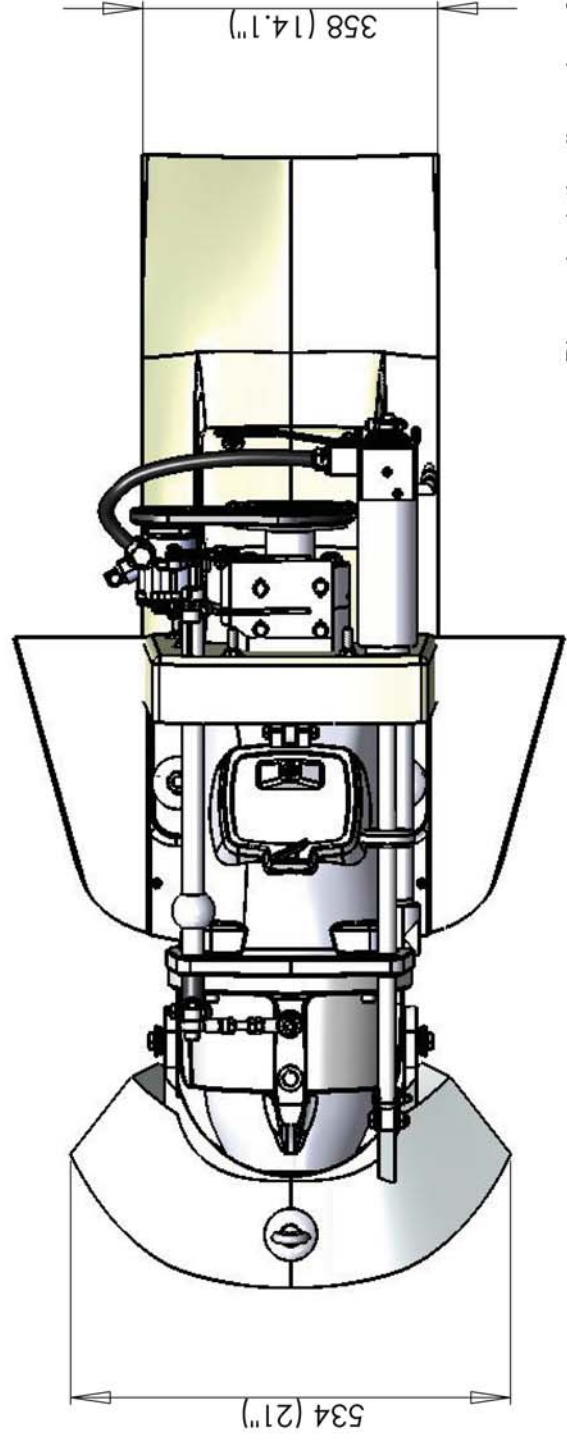
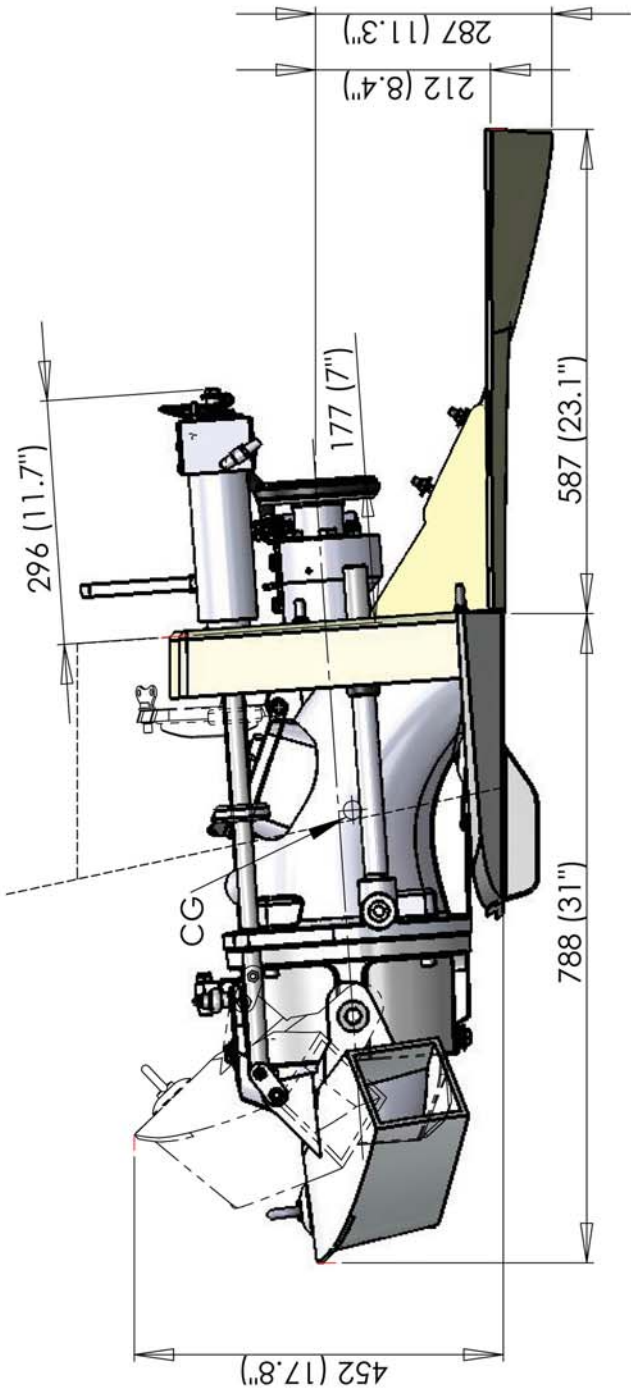


alamarin-jet

Alamarin-Jet Oy - FI-62300 Härmä - Finland
Tel. 00-358-10 774 5260 - Fax. 00-358-10 774 5269

E-mail: sales@alamarinjet.com

www.alamarin-jet.com



Please check the dimensions from the manufacturer for twin installations and special installations (different types of reverse deflectors).